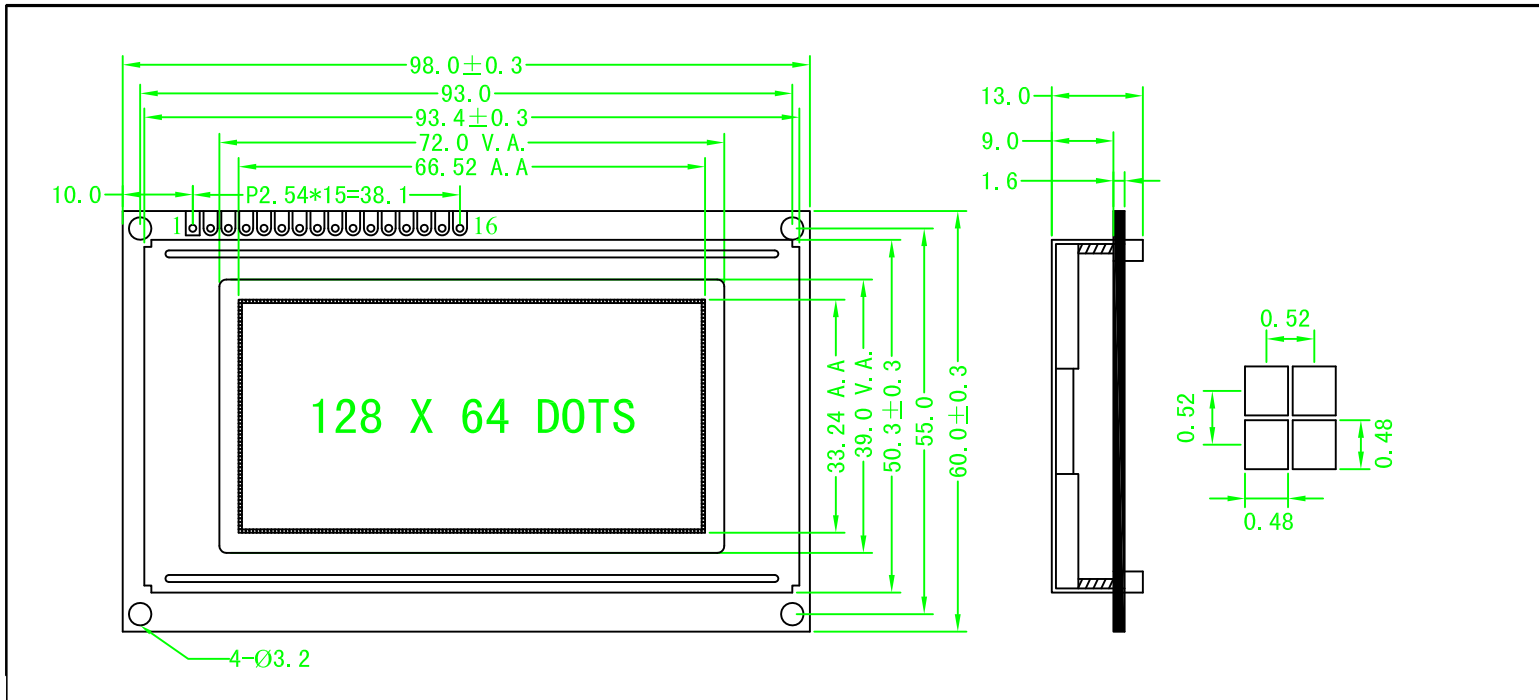
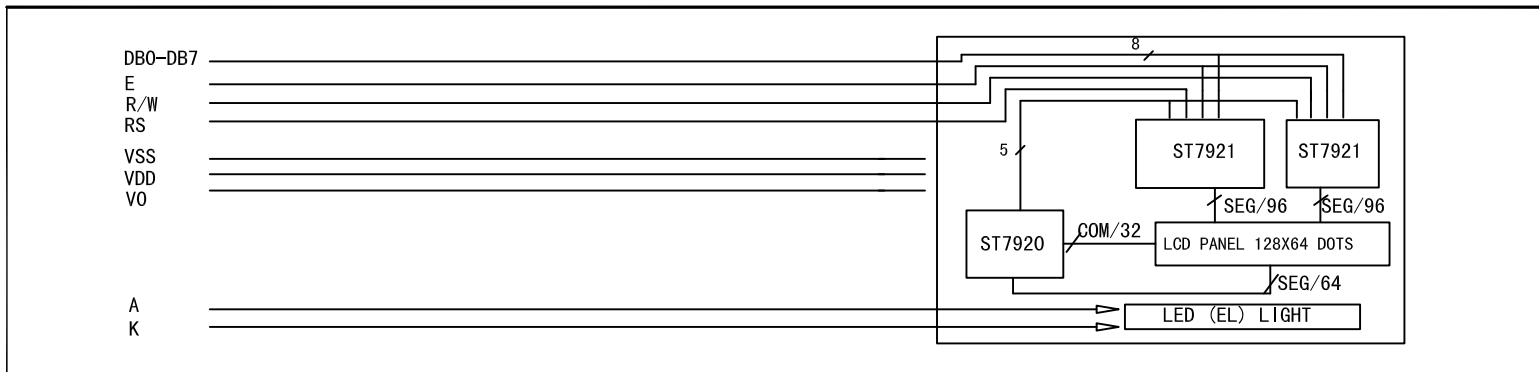




## 1.0 DIMENSIONAL DRAWING



## 2.0 BLOCK DIAGRAM & POWER SUPPLY



## 3.0 MECHANICAL SPECIFICATIONS & FEATURE

Item	Nominal Dimensions (mm)	Feature	
		LCD Type	STN
Module Size(W*H*T)	98.0 × 60.0 × 13.0	LCD Colure	Yellow-green
View Area(W*H)	72.0 × 39.0	View Angle	6 O'clock
Dot × Dot (W*H)	128 × 64	Display Type	Positive Type
Dot Pitch (W*H)	0.52 × 0.52	Rear Polarizer	Transflective
Dot Size (W*H)	0.48 × 0.48	Operating Temperature	-28° C to +75° C
---	---	Storage Temperature	-40° C to +80° C
---	---	Backlight	LED (Yellow-green)

## 4.0 ELECTRICAL CHARACTERISTICS

Item	Symbol	Test Condition	Min.	Typ.	Min.	Unit
Operating Voltage	Vdd	Ta=25° C	---	5.0	---	V
Operating Voltage For LCD	Vlcd	Ta=25° C	---	5.0	---	V
Supply Current	Idd	Ta=25° C, Vdd=3.0V	---	15	---	µA
Supply Current For Backlight	If	Ta=25° C, VAK=3.0V	---	15	---	mA

## 5.0 INTERFACE PIN CONNECTIONS

Pin No.	Symbol	Level	Description
1	VSS	0V	LCM Power Supply Negative Input Terminal
2	VDD	5.0V	LCM Power Supply Positive Input Terminal
3	NC		
4	RS	H/L	LCM Comand/data Input Terminal
5	R/W	H/L	LCM Read/Write Signal Input Terminal
6	E	H.L.F	LCM Enable Signal Input Terminal
7-14	DB0-DB7	TRI-STATE	LCM 8-bits Data Input Terminal
15	A	5.0V	LED Backlight Power Supply Positive Input Terminal
16	K	0V	LED Backlight Power Supply Negative Input Terminal

NOTE: NO